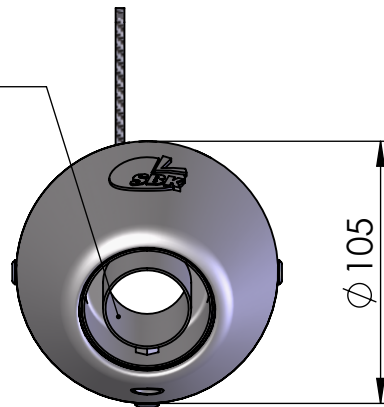
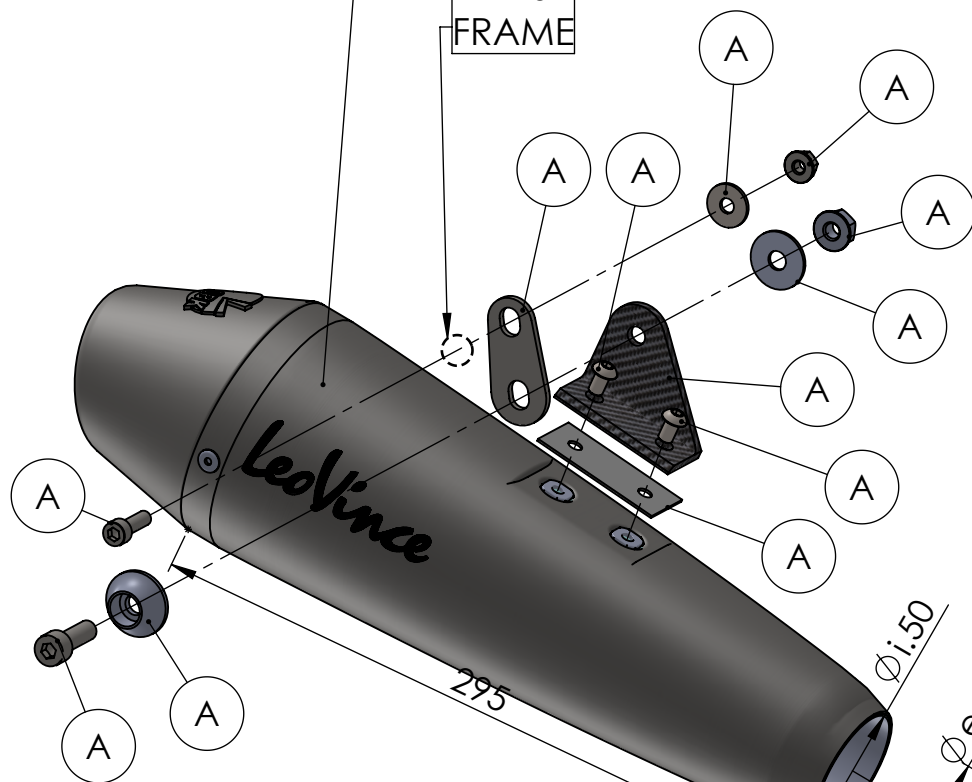


Db-killer
Cod.305432801R



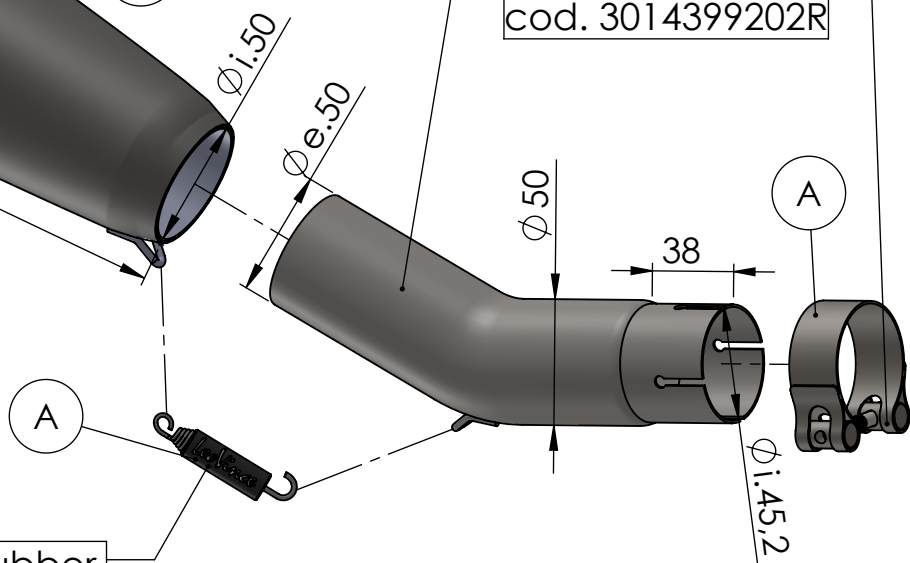
Muffler kit
Cod.308124471R

BIKE'S
FRAME



Strap in S.s. Ø49
Cod.300049530R

Pipe N°1398 s.s.
cod. 3014399202R



Spring and rubber
replacement kit
cod. 303949001R

ART. 14399 - SPARE PARTS

DUCATI SCRAMBLER 800 ICON / ICON DARK / NIGHSHIFT /
URBAN MOTARD (also fits 35kW version)

Ⓐ FITTING KIT cod.3014399601R